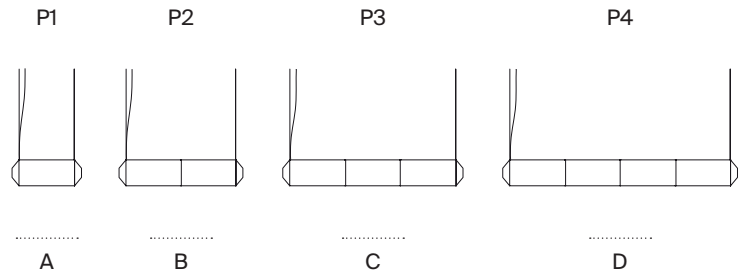


## Tekiò Horizontal

Anthony Dickens. 2017  
Pendant lamps



Tekiò, the Japanese word for adaptation, merges ancient artisan techniques with Warm to Dim LED technology that enables control of intensity and colour temperature. Tekiò combines traditional and avant-garde in a unique and contemporary design, featuring modern lighting structures carefully dressed in handmade paper. Linear or circular shapes can be created by combining various modules.

London designer Anthony Dickens was inspired by the traditional Japanese lantern made from washi paper, which dates back to the 14th century and is now an everyday object in the life of the Japanese. The paper, used by Isamu Noguchi to create the famous Akari lamps, has been inscribed on UNESCO's List of the Intangible Cultural Heritage of Humanity. Washi is resilient and ductile, even malleable. It has a warm texture that filters in a soft, gentle light. Santa & Cole relies on the hands of experts in the Japanese city of Mito for manufacturing the paper, one of the cities specialised in its production.

### General description:

Washi Japanese paper shade.

Metal structure.

2 options of white grey metal canopy with power supply incorporated: circular or rectangular.

Methacrylate inner diffuser.

Electric cable length: 5 m / 196.8"

### Approximate weight (unpacked):

(A) Tekiò Horizontal P1: 3 Kg / 6.6 lb

(B) Tekiò Horizontal P2: 4,5 Kg / 9.9 lb

(C) Tekiò Horizontal P3: 6 Kg / 13.2 lb

(D) Tekiò Horizontal P4: 7,5 Kg / 16.5 lb

### Technical information:

Light source included (dimnable)

(A) LED strip

Rated input wattage: 43 W / UL 34 W

Luminous flux: 1.251 lm / UL 964 lm

(B) LED strip

Rated input wattage: 73 W / UL 56 W

Luminous flux: 2.190 lm / UL 1.687 lm

(C) LED strip

Rated input wattage: 100 W / UL 73 W

Luminous flux: 3.128 lm / UL 2.315 lm

(D) LED strip

Rated input wattage: 120 W / UL 87 W

Luminous flux: 4.067 lm / UL 3.051 lm

(A, B, C, D)

Operating voltage: 24VDC

CCT: 2.200K - 2.700K

CRI: 85

Lifetime: 40.000 h

Built-in LED

Suitable for dimming 1-10V / UL 0-10V. (Not

included external dimmer switch

1-10V / UL 0-10V). Dim to Warm control

2200K - 2700K.

Energy efficiency class (E.E.C):

A++... A.

Suitable only for indoor use.

Always use this light source.

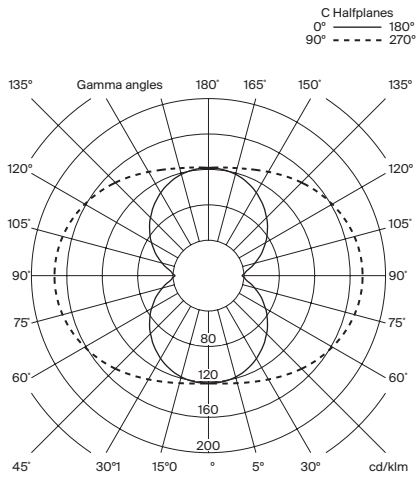
Input voltage: 100 ~ 277 Vac.

(50 Hz / 60 Hz). According to destination.

# Tekiò Horizontal

Anthony Dickens. 2017

Pendant lamps



## Regulations:

CE  
 UNE-EN 60598  
 UNE-EN 55015  
 UNE-EN 60529

UL  
 Dry location only  
 UL-1598  
 UL-8750  
 E-336377

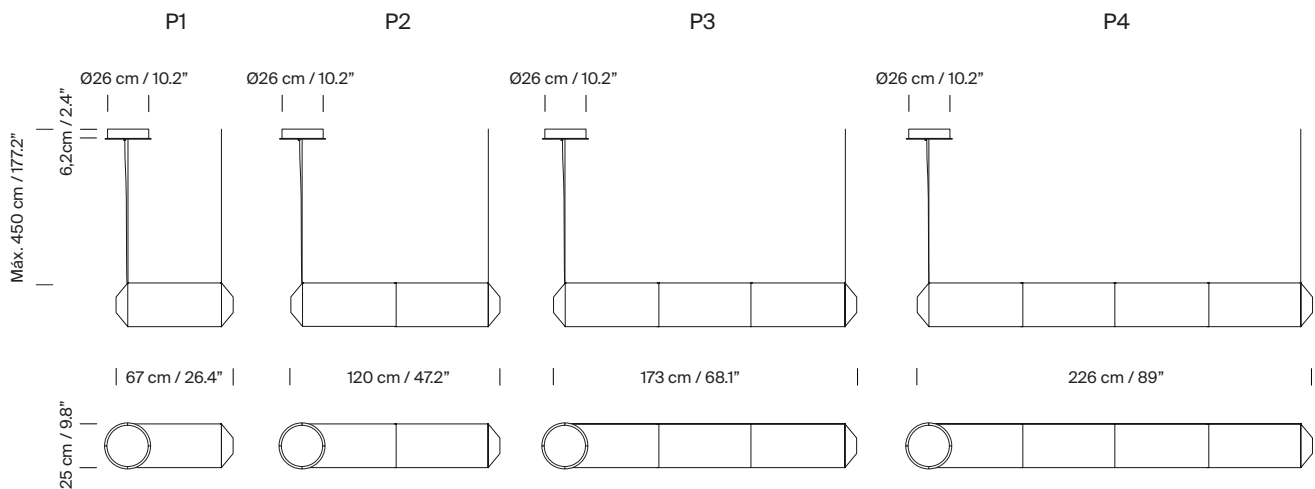
## Maintenance:

Clean with a smooth cloth. Do not use ammonia, solvents or abrasive cleaning products. Do not expose to oil vapors or fats.

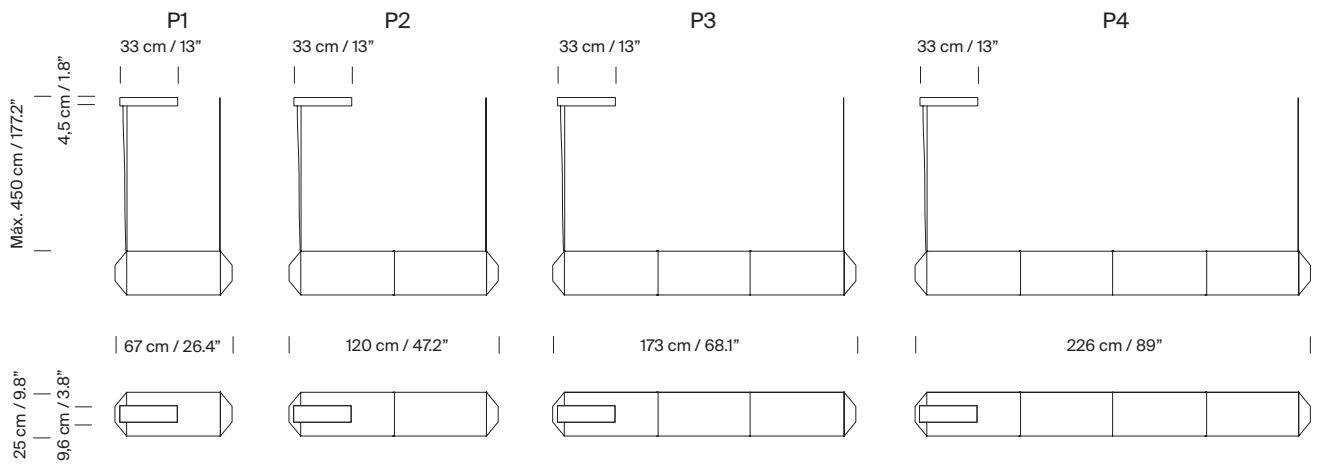
## Others:

The lamp is delivered in different packages.  
 The assembly instructions are delivered with the product.

## Models: Tekiò Horizontal / Circular canopy



**Models:** Tekiò Horizontal / Rectangular canopy



**Collection:**  
 Pendant lamps



Tekiò Vertical



Tekiò Horizontal



Tekiò Circular